

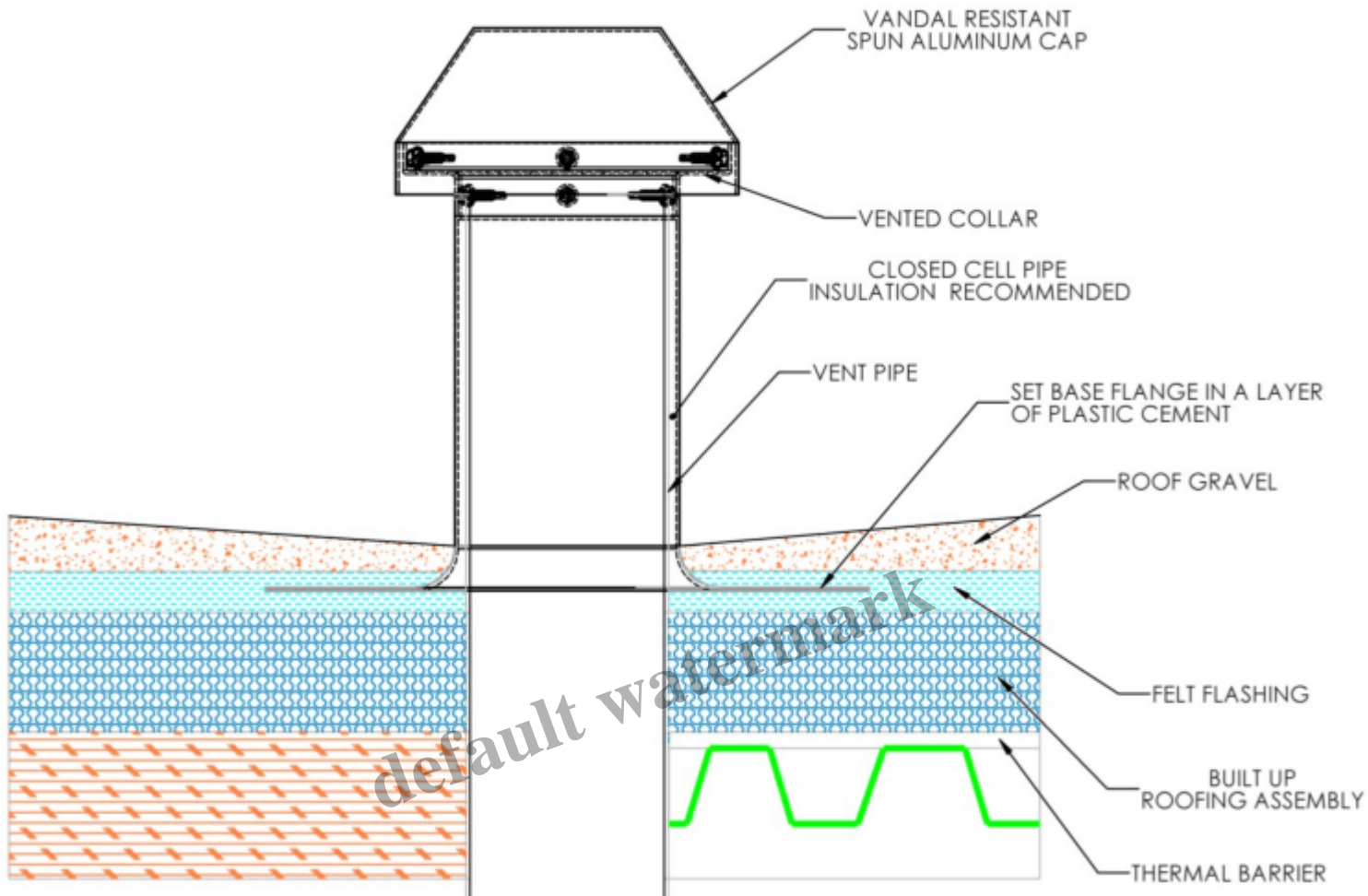
Mushroom Breather with Removable Cap

Description

[Download Catalogue](#)

Section Details:

1. Vandal Resistant Spun Aluminum Cap
2. Vented Collar
3. Closed Cell Pipe Insulation Recommended
4. Vent Pipe
5. Set Base Flange in a Layer of Plastic Cement
6. Roof Gravel
7. Felt Flashing
8. Built Up Roofing Assembly
9. Thermal Barrier



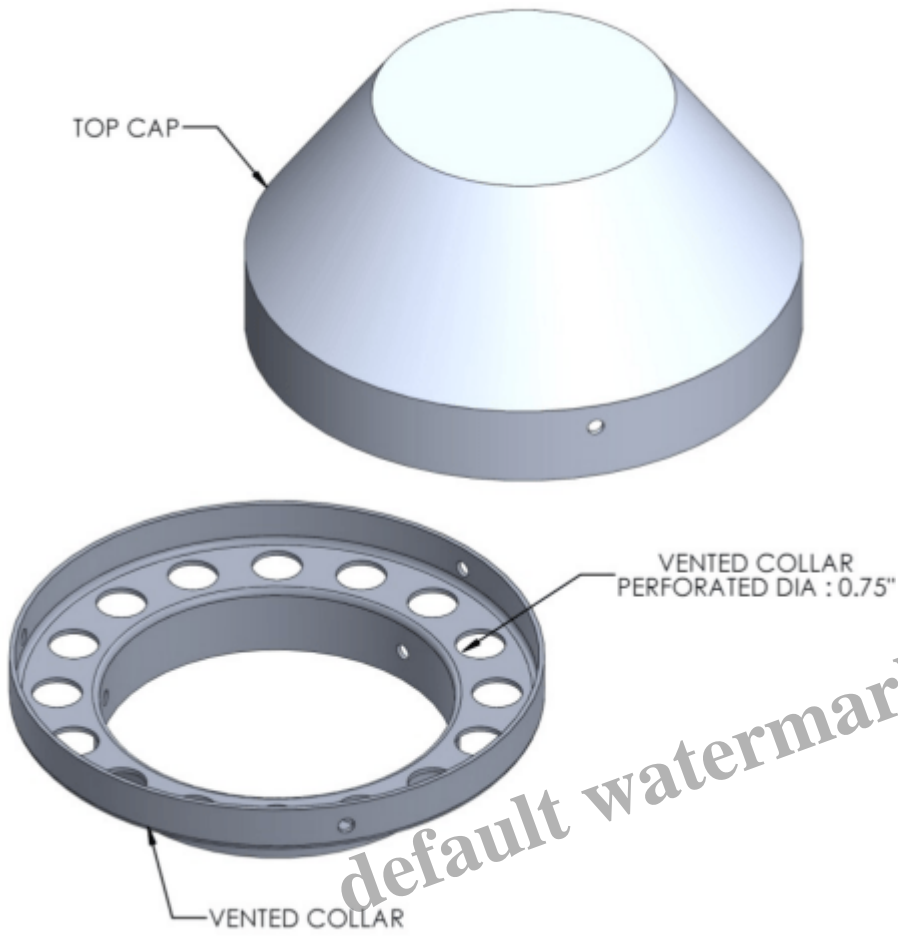
Product Codes:

Mushroom Breather—Removable Cap – 13.75” High without Insulation – **MB-RC-NON-13.75**

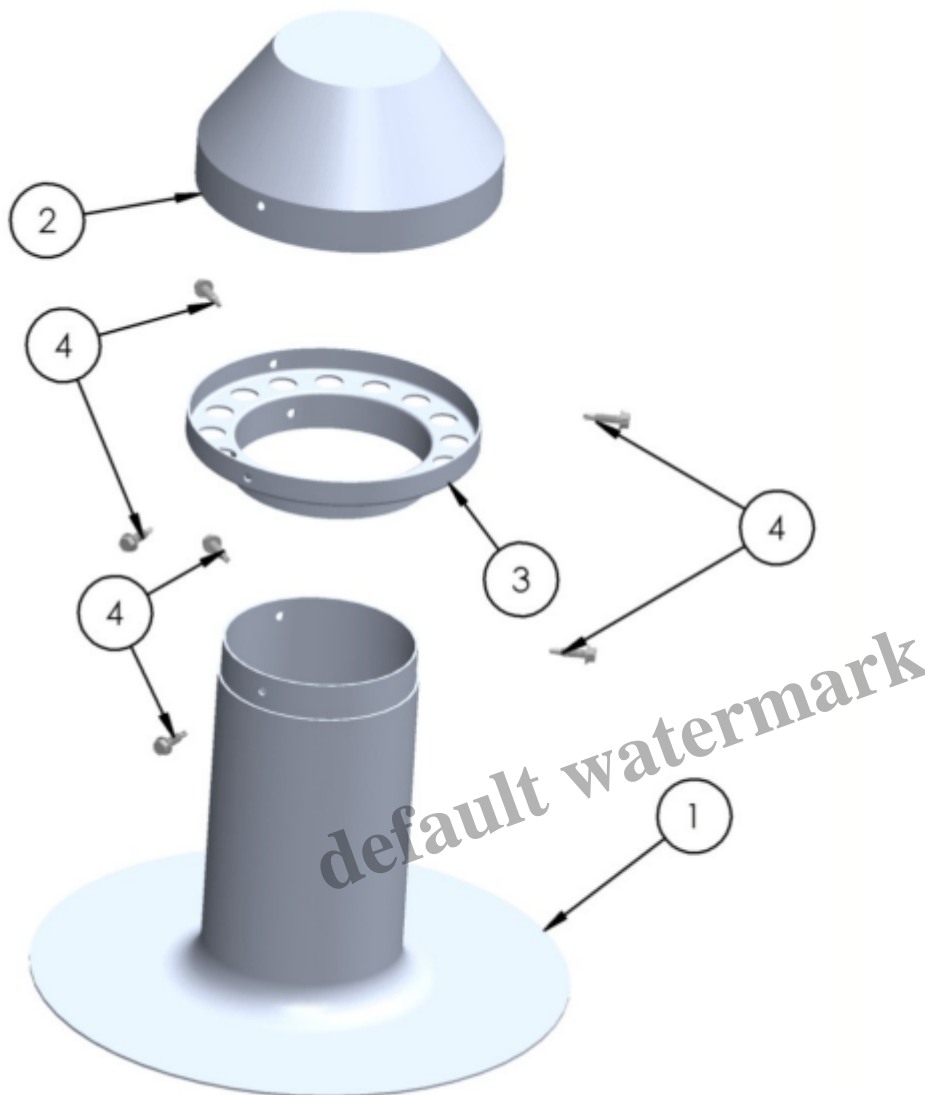
Mushroom Breather—Removable Cap – 13.75” High with Insulation – **MB-RC-13.75**

Mushroom Breather—Removable Cap – 18” High with Insulation – **MB-RC-18**

[Download Catalogue](#)



VENT STACK DIAMETER	TOTAL PERFORATIONS	TOTAL AREA
6"	16	7.04 SQ



1. Seamless Spun Aluminum Vent
2. Seamless Spun Aluminum Cap
3. Seamless Spun Aluminum Collar
4. Stainless Steel Screw

[Download Catalogue](#)

Download QR

Date Created

May 3, 2022

Author

admin