



NATIONAL
ROOFING SUPPLY

T: 905-276-7100
C: 647-539-1958
F: 905-914-7100

Toll Free: 800-714-7100
Email: jamie@nationalroofingsupply.ca
www.nationalroofingsupply.ca

665 Millway Ave., Unit 59
Concord, ON
L4K 3T8 Canada

Flow Control with slots

DESCRIPTION :

Flow control is used to regulate the flow of water from the roof where storm water flow rates are restricted by municipal regulation • Flow control are placed inside the strainer, which holds them in position. NRS's flow control is only used for Flip Top Dome drain system.

FEATURES & BENEFITS

- Seamless spun aluminum 0.075" THK.
- Spun from one piece of heavy gauge aluminum, no seams.
- Oval Shaped slot with 1 & 2 opening for easy flow of water.
- Adjustable opening cover to control the flow
- Flow Control determine the maximum rainfall per hour.

Notes:

- Calculate the number of roof drains required for the subject roof area, consistent with local by-laws.
- Confirm with engineer that the structure can withstand the increased load that will occur when the roof is used as a rainfall reservoir.



PRODUCT LIST:

ITEM NO:	DESCRIPTION	PRODUCT CODE
1	Flow control 1" wide—Single Slot	FC 1-SS
2	Flow control 0.5" wide—Single Slot	FC 0.5-SS
3	Flow control 0.5" wide—Double Slot	FC 0.5-DS





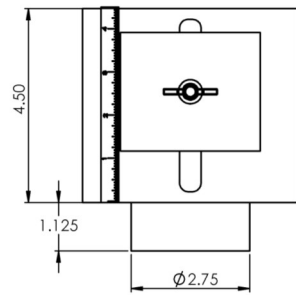
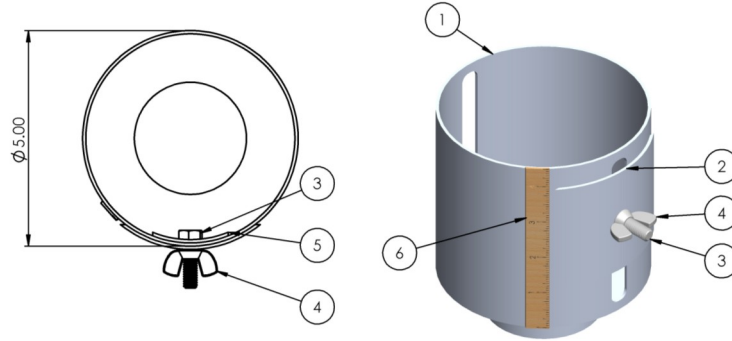
**NATIONAL
ROOFING SUPPLY**

T: 905-276-7100
C: 647-539-1958
F: 905-914-7100

Toll Free: 800-714-7100
Email: jamie@nationalroofingsupply.ca
www.nationalroofingsupply.ca

665 Millway Ave., Unit 59
Concord, ON
L4K 3T8 Canada

Flow Control with slots



1. Seamless Spun Aluminum Flow control.

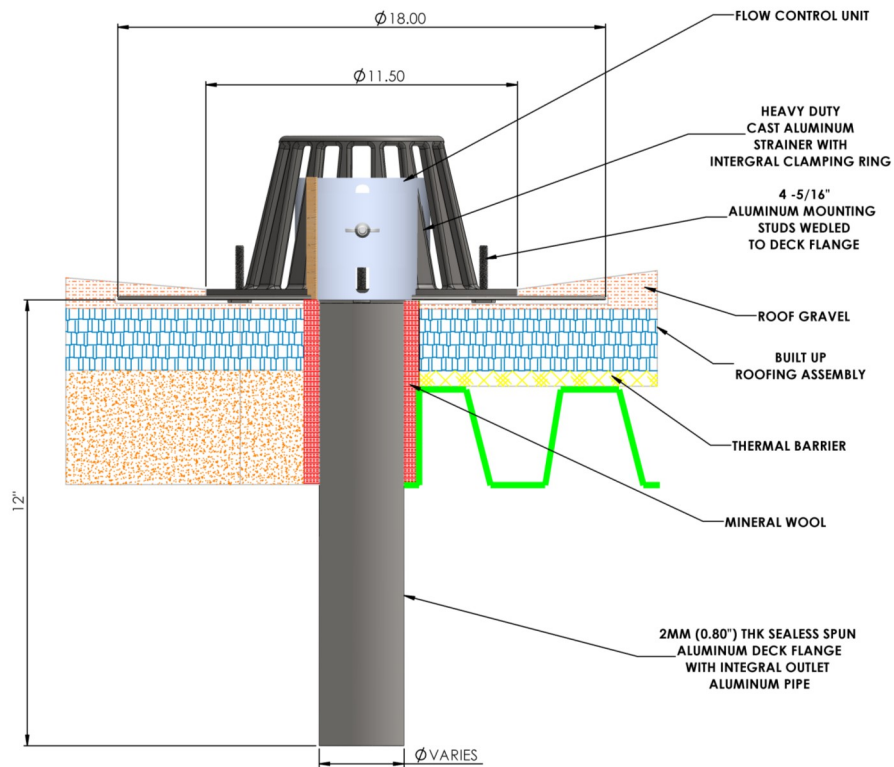
2. Front Cover Lid

3. 3.5/16" screw

4. Wing nut

5. Inner Cover Lid

6. Ruler Height Slicker





NATIONAL
ROOFING SUPPLY

T: 905-276-7100
C: 647-539-1958
F: 905-914-7100

Toll Free: 800-714-7100
Email: jamie@nationalroofingsupply.ca
www.nationalroofingsupply.ca

665 Millway Ave., Unit 59
Concord, ON
L4K 3T8 Canada



Flow Control Chart 0.5" Wide Slot
with Single Opening

Water Head Height On Roof (in)	Flow Rate Q (L/sec) - 0.5" WIDE SINGLE SLOT											
	0.25"	0.5"	0.75"	1"	1.25"	1.5"	1.75"	2.0"	2.25"	2.5"	2.75"	3"
6	0.08	0.17	0.25	0.33	0.42	0.50	0.58	0.67	0.75	0.84	0.92	1.00
5.5	0.08	0.16	0.24	0.32	0.40	0.48	0.56	0.64	0.72	0.80	0.88	0.96
5	0.08	0.15	0.23	0.31	0.38	0.46	0.53	0.61	0.69	0.76	0.84	0.92
4.5	0.07	0.14	0.22	0.29	0.36	0.43	0.51	0.58	0.65	0.72	0.80	0.87
4	0.07	0.14	0.20	0.27	0.34	0.41	0.48	0.55	0.61	0.68	0.75	0.82
3.5	0.06	0.13	0.19	0.26	0.32	0.38	0.45	0.51	0.57	0.64	0.70	0.77
3	0.06	0.12	0.18	0.24	0.30	0.35	0.41	0.47	0.53	0.59	0.65	0.71
2.5	0.05	0.11	0.16	0.22	0.27	0.32	0.38	0.43	0.49	0.54	0.59	0.65
2	0.05	0.10	0.14	0.19	0.24	0.29	0.34	0.39	0.43	0.48	0.53	0.58
1.5	0.04	0.08	0.13	0.17	0.21	0.25	0.29	0.33	0.38	0.42	0.46	0.50
1	0.03	0.07	0.10	0.14	0.17	0.20	0.24	0.27	0.31	0.34	0.38	0.41
0.5	0.02	0.05	0.07	0.10	0.12	0.14	0.17	0.19	0.22	0.24	0.27	0.29

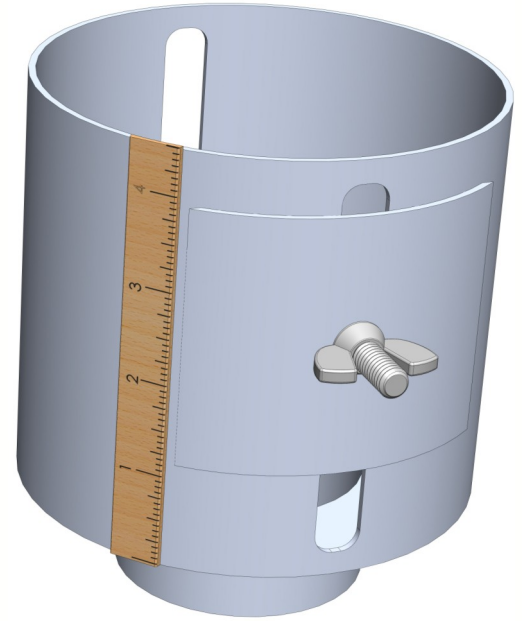


**NATIONAL
ROOFING SUPPLY**

T: 905-276-7100
C: 647-539-1958
F: 905-914-7100

Toll Free: 800-714-7100
Email: jamie@nationalroofingsupply.ca
www.nationalroofingsupply.ca

665 Millway Ave., Unit 59
Concord, ON
L4K 3T8 Canada



Flow Control Chart 0.5" Wide Slot
with Double Opening

Water Head Height On Roof (in)	Flow Rate Q (L/sec) - 0.5" WIDE DOUBLE SLOT											
	0.25"	0.5"	0.75"	1"	1.25"	1.5"	1.75"	2.0"	2.25"	2.5"	2.75"	3"
6	0.17	0.33	0.50	0.67	0.84	1.00	1.17	1.34	1.50	1.67	1.84	2.00
5.5	0.16	0.32	0.48	0.64	0.80	0.96	1.12	1.28	1.44	1.60	1.76	1.92
5	0.15	0.31	0.46	0.61	0.76	0.92	1.07	1.22	1.37	1.53	1.68	1.83
4.5	0.14	0.29	0.43	0.58	0.72	0.87	1.01	1.16	1.30	1.45	1.59	1.74
4	0.14	0.27	0.41	0.55	0.68	0.82	0.95	1.09	1.23	1.36	1.50	1.64
3.5	0.13	0.26	0.38	0.51	0.64	0.77	0.89	1.02	1.15	1.28	1.40	1.53
3	0.12	0.24	0.35	0.47	0.59	0.71	0.83	0.95	1.06	1.18	1.30	1.42
2.5	0.11	0.22	0.32	0.43	0.54	0.65	0.75	0.86	0.97	1.08	1.19	1.29
2	0.10	0.19	0.29	0.39	0.48	0.58	0.68	0.77	0.87	0.96	1.06	1.16
1.5	0.08	0.17	0.25	0.33	0.42	0.50	0.58	0.67	0.75	0.84	0.92	1.00
1	0.07	0.14	0.20	0.27	0.34	0.41	0.48	0.55	0.61	0.68	0.75	0.82
0.5	0.05	0.10	0.14	0.19	0.24	0.29	0.34	0.39	0.43	0.48	0.53	0.58



**NATIONAL
ROOFING SUPPLY**

T: 905-276-7100
C: 647-539-1958
F: 905-914-7100

Toll Free: 800-714-7100
Email: jamie@nationalroofingsupply.ca
www.nationalroofingsupply.ca

665 Millway Ave., Unit 59
Concord, ON
L4K 3T8 Canada



Flow Control Chart 1" Wide Slot
with Single Opening

Water Head Height On Roof (in)	Flow Rate Q (L/sec) - 1" WIDE SINGLE SLOT											
	0.25"	0.5"	0.75"	1"	1.25"	1.5"	1.75"	2.0"	2.25"	2.5"	2.75"	3"
6	0.17	0.33	0.50	0.67	0.84	1.00	1.17	1.34	1.50	1.67	1.84	2.00
5.5	0.16	0.32	0.48	0.64	0.80	0.96	1.12	1.28	1.44	1.60	1.76	1.92
5	0.15	0.31	0.46	0.61	0.76	0.92	1.07	1.22	1.37	1.53	1.68	1.83
4.5	0.14	0.29	0.43	0.58	0.72	0.87	1.01	1.16	1.30	1.45	1.59	1.74
4	0.14	0.27	0.41	0.55	0.68	0.82	0.95	1.09	1.23	1.36	1.50	1.64
3.5	0.13	0.26	0.38	0.51	0.64	0.77	0.89	1.02	1.15	1.28	1.40	1.53
3	0.12	0.24	0.35	0.47	0.59	0.71	0.83	0.95	1.06	1.18	1.30	1.42
2.5	0.11	0.22	0.32	0.43	0.54	0.65	0.75	0.86	0.97	1.08	1.19	1.29
2	0.10	0.19	0.29	0.39	0.48	0.58	0.68	0.77	0.87	0.96	1.06	1.16
1.5	0.08	0.17	0.25	0.33	0.42	0.50	0.58	0.67	0.75	0.84	0.92	1.00
1	0.07	0.14	0.20	0.27	0.34	0.41	0.48	0.55	0.61	0.68	0.75	0.82
0.5	0.05	0.10	0.14	0.19	0.24	0.29	0.34	0.39	0.43	0.48	0.53	0.58