



NATIONAL
ROOFING SUPPLY

T: 905-276-7100
C: 647-539-1958
F: 905-914-7100

Toll Free: 800-714-7100
Email: jamie@nationalroofingsupply.ca
www.nationalroofingsupply.ca

665 Millway Ave., Unit 59
Concord, ON
L4K 3T8 Canada

TIG welded Aluminum Scupper—FLANGE



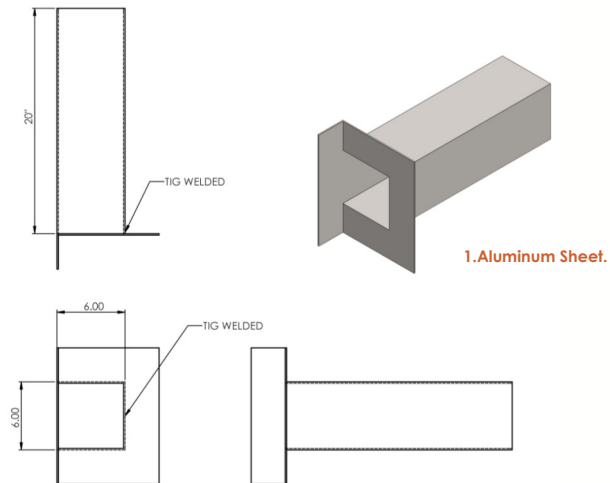
DESCRIPTION :

TIG Welded Aluminum Supper—FLANGE

FEATURES & BENEFITS

High quality economical TIG welded Aluminum scupper for flat roof. Available in different configurations.

- Standard dimensions various sizes of 3" , 4" , 6" plus Length varies.
- Available in insert size 3" and 4".
- Custom scuppers and flanges can be made to suit your specifications.



PRODUCT LIST:

TIG Welded Aluminum Supper—FLANGE

ITEM NO:	DESCRIPTION	PRODUCT CODE
1	TIG Welded Aluminum Supper – FLANGE—6" X 6"	TWCASF